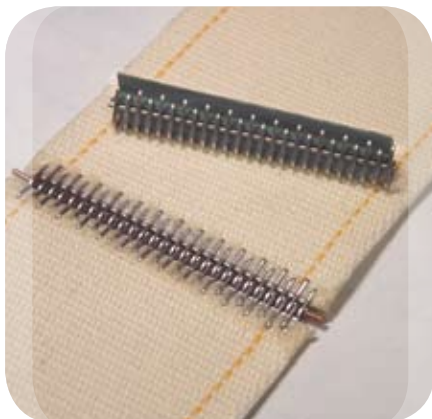
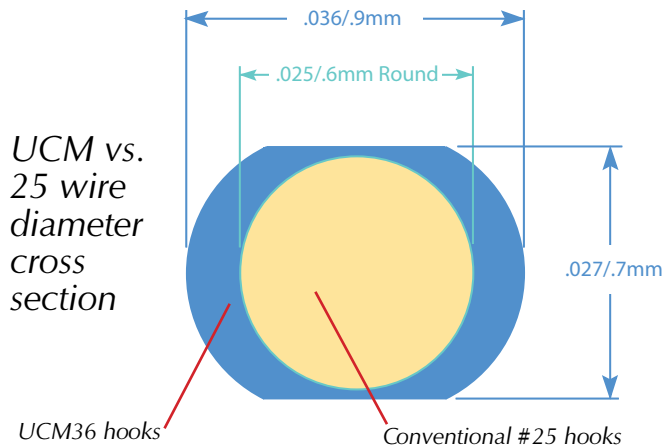


The commercial laundry industry has relied on Clipper® wire hooks for decades, due to their ability to provide splices that are long-lasting and easy to install.

With thousands of sheets to dry, iron, and fold:

**Depend on**  
**Clipper® Fasteners**  
**to keep your**  
**operations moving.**



## **Faster.**

A variety of installation equipment specifically designed for the commercial laundry industry allow facilities to quickly replace laundry tapes on-site, reducing downtime.

## **Stronger.**

Clipper® UCM36 hooks offer greater strength and easier installation. Made from a shaped wire, .027" high x .036" wide (.7 x .9 mm), the UCM36 hooks provide greater strength and wire mass than #25 hooks, yet maintain a similar, low profile splice to the #25 splices.

## **Easier.**

Individual hooks are welded to a common bar with the UCM36 hooks. This technology provides a sturdier splice which makes splice installation easier from all aspects: handling, removal of paper, meshing of ends together and pin insertion.

## **Smarter.**

Flexco, a trusted leader in the industry, offers Clipper tools and accessories to simplify repairs and insure a dependable, long-lasting splice.

# Belt Fastening Solutions from Flexco

## Lacing Equipment

### Pro-200 Electric Hydraulic Lacer:

Quickly and efficiently install low profile Clipper® splices. The lacer's durability, easy operating procedures and quick cycle time make this an ideal tool for high-volume, production lacing.



### Vise Lacers:

An economical tool for installing Clipper splices. Fits in any shop vise.



### #25 Lever Lacer:

Portable, extremely easy to use, hand-held installation tool for #25 hooks up to 2" (50 mm) wide.



### LW95 Lacer:

A portable lacer which allows users to install up to 6" of lacing at a time, with the ability to continuous lace wider belts. Compatible with all sizes of Clipper hooks.



### Fastener Ordering Information

Hook Size	Belt Thickness	Minimum Pulley Diameter	Custom Strip Length					
			1-7/8"	2"	2-1/2"	3"	3-1/2"	4"
UCM36SLXSP	Up to 1/16" (1.6mm)	15/16" (24mm)	02498	02496	02494	02492	02490	02488
UCM36SLSP	1/16"-3/32" (1.6-2.4mm)	15/16" (24mm)	02497	02495	02493	02491	02489	02487
UCM36XSP	Up to 1/16" (1.6mm)	2" (51mm)	02043	02485	02483	02048	02042	02030
UCM36SP	1/16"-3/32" (1.6-2.4mm)	2" (51mm)	02486	02484	02407	02299	02041	02034

### Ordering Information

Product	Ordering Number
<b>Production Lacer</b>	
Pro-200 Electric Hydraulic Lacer	PRO-200H
Pro-200 #25 Adapter	P2CLPR25
Pro-200 #36/30 Adapter	P2CLPR36/30
Pro-200 #1 Adapter	P2CLPR1
<b>Vise Lacer</b>	
#25 Vise Lacer	25VL-7
#36/30 Vise Lacer	36VL-7
#1 Vise Lacer	1VL-7
<b>Lever Lacer</b>	
#25 Lever Lacer	25LEVER
<b>LW95 Lacer</b>	
25XLW Lacer (#25 hooks)	25XLW
#1 Hook Retainer	HR1LW95
#36 Hook Retainer	HR36LW95
<b>Tape Cutter</b>	
#25 Tape Cutter	CUTTER-25
<b>Tape Binder</b>	
Non-flammable Tape Binder – Pint	BINDER-PT
Non-flammable Tape Binder – Quart	BINDER-QT
Non-flammable Tape Binder – Gallon	BINDER-GAL
Quick Dry Tape Binder – Quart	QDBINDER-QUART



2525 Wisconsin Avenue  
Downers Grove, IL 60515-4200 U.S.A.  
Telephone: (630)-971-0150  
Fax: (630)-971-1180  
E-mail: info@flexco.com



www.flexco.com

Australia: 61-2-9680-3322 • England: 44-1274-600-942 • Germany: 49-7428-9406-0 • Mexico: 52-55-5674-5326 • Republic of South Africa: 27-11-608-4180

©2007 Flexible Steel Lacing Company. Clipper® is a registered trademark of Flexible Steel Lacing Company. 6/07-.75. For Reorder: Item Code X1354